



Brice

MODEL: VFM-20C

Bowl capacity	20 L	Shaft speed	100 / 195 / 355 rpm
Voltage	240 v	Weight	102 kg
Power	1.1 kw	Dimension	580 x 530 x 600 mm
Date	2007/01	Serial No	9316

BRICE AUSTRALIA PTY LTD-OFFICES ALL STATES

Model
B20
CVFM
Planetary Mixer

Model B20 CVFM Planetary Mixer

The Model B20 CVFM Planetary Mixer is a powerful and versatile medium-duty mixer with a big 20 litre bowl capacity and the power to handle the toughest mixing jobs.

The Model B20 CVFM features:

- Anodised aluminium construction to resist corrosion;
- All components that come into contact with food stuffs are made of high-grade stainless steel;
- Three speed settings;
- Hardened gear drive;
- Electronic safety locks;
- Motor overload switch;
- Locking safety cage;
- Bronze helical gear for safety;
- Single-phase (240 volt) 750 Watt motor.

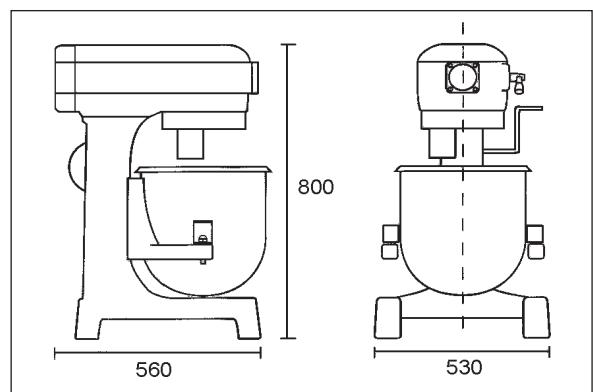
Accessories (supplied):

- Stainless Steel bowl; Batter beater; Dough hook; Wire whisk

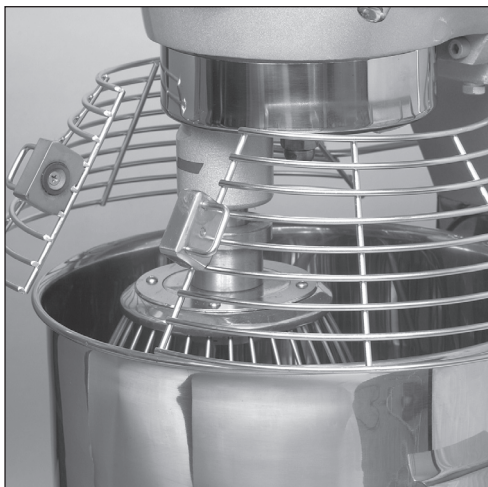
SPECIFICATIONS

Dimensions (mm)

Height	800
Width	530
Depth	560
Bowl capacity (litres)	20
Dough capacity (kg)	10
Beater speed (rpm) - Speed 1	108
- Speed 2	195
- Speed 3	355
Motor (kW)	1.1
Weight (kg)	102



Model B20 CVFM illustrated



Detail view of the B20 CVFM showing the locking safety cage.



The B20 CVFM accessories are included in the package

SALES AND SERVICE

SYDNEY: Ph: (02) 9838 0505; Fx: (02) 9838 0822
MELBOURNE: Ph: (03) 9888 7125; Fx: (03) 9888 7909
BRISBANE: Ph: (07) 3205 1077; Fx: (07) 3205 1144
ADELAIDE: Ph: (08) 8234 6277; Fx: (08) 8234 9033
PERTH: Ph: (08) 9204 3222; Fx: (08) 9204 3388
HOBART: Ph: (03) 6234 8300; Fx: (03) 6231 1291
DARWIN: Ph: (08) 8984 4125; Fx: (08) 8947 1900
WAGGA: Ph: (02) 6922 5836; Fx: (02) 6926 5657
FREECALL: 1800 353 844
EMAIL: info@briceaust.com.au



© Brice Australia Pty. Ltd.
 A.B.N. 71 413 589 669
 100% Australian owned and operated

Copyright © 2005 Brice Australia Pty. Ltd.
 www.briceaust.com.au

Note: Specifications subject to change without prior notice