



The Brice A35FG manual slicer is a gear-driven, heavy duty powerhouse that takes the hard work out of slicing. An ideal slicer for restaurants, caterers, medium/large kitchens and delicatessens.

- **Gear Drive**
Direct drive - very powerful heavy duty slicer.
- **Fan-Cooled Motor**
High performance motor that increases efficiency and reduces wear and tear.
- **Low Voltage Switches**
Safe for operator, reduced voltage switching (24 volts).
- **Large Cutting Capacity**
Slices Champagne ham, soccerball ham, roasts and silverside.



Heavy Duty; Gear-driven; Manual operation

Model
A35FG
Gear Driven Slicer

Model A35FG Gear Driven Slicer

CE Approved

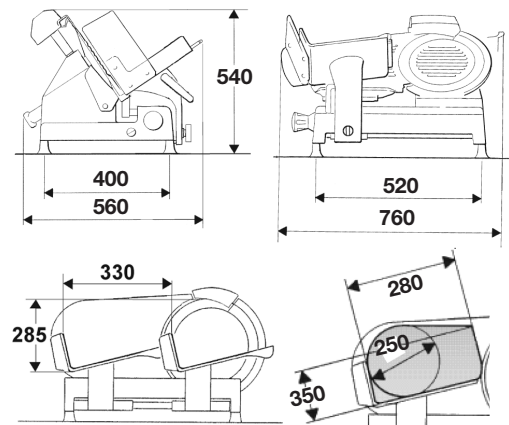
The Model A35FG Gear-driven food slicer has been designed for those who require precision slicing.

The large dimensions of the receiving plate permit complete freedom in slice accumulation. Along with the model's other features, this makes these machines some of the most functional on the market.

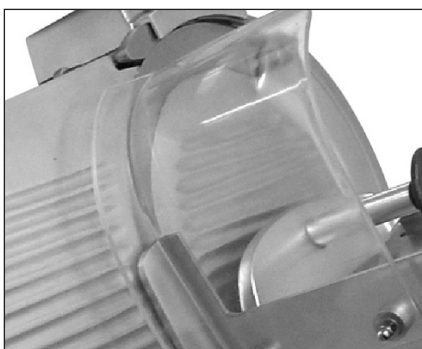
- Manufactured in anodised aluminium to resist the corrosive effects of salts and acids;
- Constructed for easy and friendly cleaning;
- Micrometric adjusting knob allows for cutting of slices up to 24mm;
- Self contained inbuilt and shielded sharpening device;
- Forced ventilation to motor;
- Gear driven blade;
- Safety cutout switches for blade operation and blade cover.
- Fully CE Approved.

SPECIFICATIONS

Blade (mm)	350
Blade RPM	200
240V single phase motor 300W, 50Hz	
Operating Temp Range	+5°C - +40°C
Net weight (kg)	37
Slice Capacity	
Round cut (mm)	250
Rectangular cut (mm)	350x280
Max. Slice thickness (mm)	21
IP Rating	65



Stylish, low-voltage switches are rated to IP65 for maximum user safety.



The large-capacity meat table is fully guarded, and features an easy-slide action that reduces operator effort.

SALES AND SERVICE

SYDNEY: Ph: (02) 9838 0505; Fx: (02) 9838 0822
MELBOURNE: Ph: (03) 9888 7125; Fx: (03) 9888 7909
BRISBANE: Ph: (07) 3205 1077; Fx: (07) 3205 1144
ADELAIDE: Ph: (08) 8234 6277; Fx: (08) 8234 9033
PERTH: Ph: (08) 9334 9600; Fx: (08) 9334 9601
HOBART: Ph: (03) 6234 8300; Fx: (03) 6231 1291
DARWIN: Ph: (08) 8984 4125; Fx: (08) 8947 1900
WAGGA: Ph: (02) 6921 3448; Fx: (02) 6921 5256

FREECALL: 1800 353 844

EMAIL: info@briceaust.com.au



Brice Australia Pty. Ltd.
 ABN 71 413 589 669

100% Australian owned and operated

This document may not be reproduced, in whole or in part, by any means without the prior express written permission of the copyright owner. Brice and the BRICE logotype are trademarks of Brice Australia Pty. Ltd. Printed in Australia.

Copyright © 2009 Brice Australia Pty. Ltd.

www.briceaust.com.au

Note: Specifications subject to change without prior notice
 29120_A35FG_br.pdf