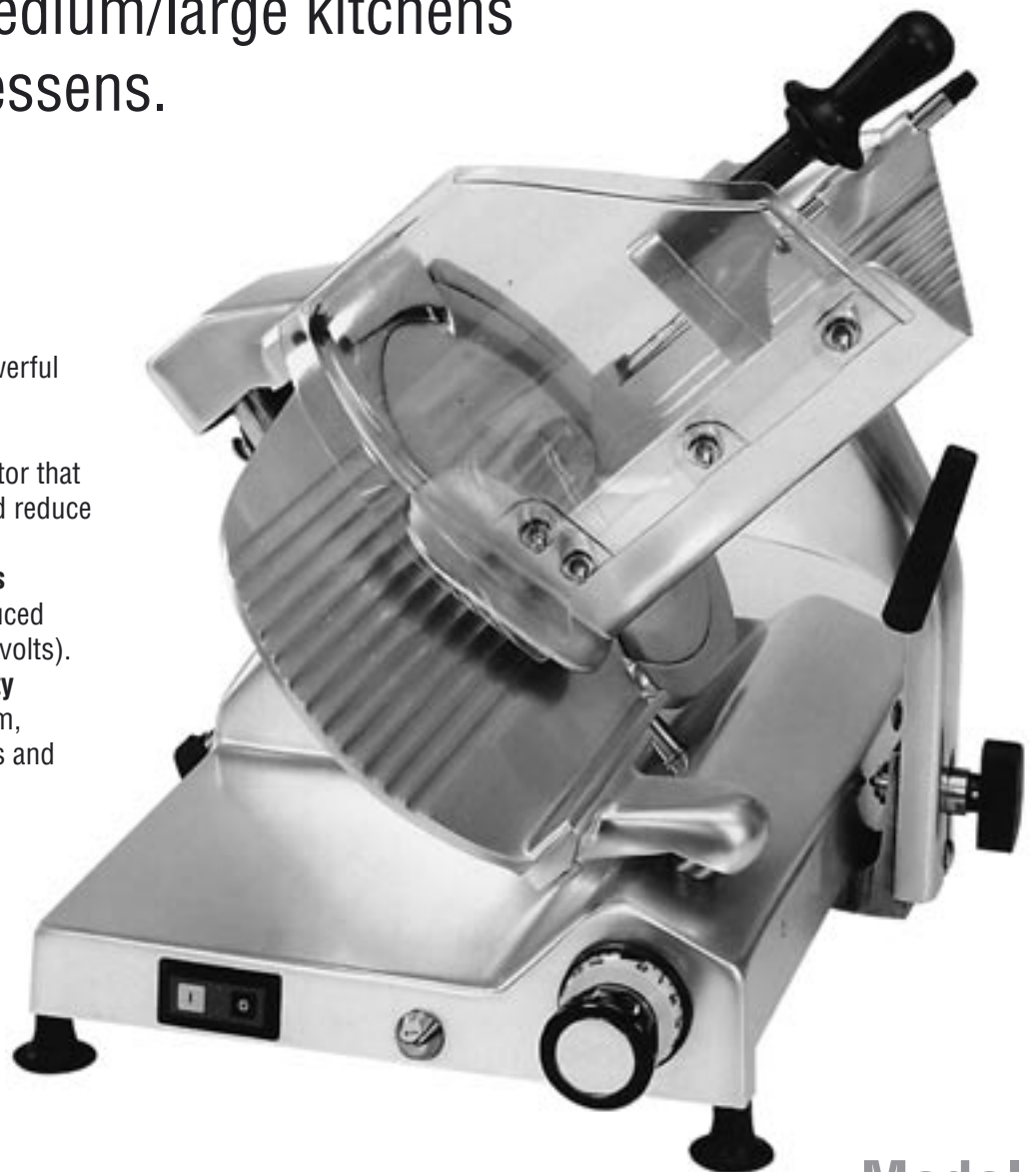




The C30E & C35E manual slicers are gear-driven, heavy duty powerhouses that takes the hard work out of slicing. An ideal slicer for restaurants, caterers, medium/large kitchens and delicatessens.

- **Gear Drive**
Direct drive - very powerful heavy duty slicer.
- **Fan-Cooled Motor**
High performance motor that increase efficiency and reduce wear and tear.
- **Low Voltage Switches**
Safe for operator, reduced voltage switching (24 volts).
- **Large Cutting Capacity**
Slices Champagne ham, soccerball ham, roasts and silverside.



Model
C30E/C35E
Gear Driven Slicers

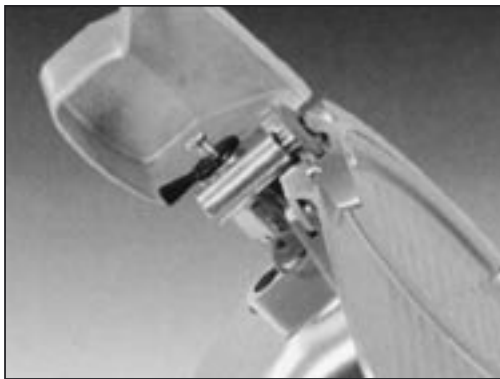
Model C30E/ C35E Gear Driven Slicers

CE Approved

The Model C30E and C35E Gear-driven food slicers have been designed for those who require precision slicing.

The large dimensions of the receiving plate permit complete freedom in slice accumulation. Along with the model range's other features, this makes these machines some of the most functional on the market.

- Manufactured in anodised aluminium to resist the corrosive effects of salts and acids;
- Constructed for easy and friendly cleaning;
- Micrometric adjusting knob allows for cutting of slices up to 14mm;
- Self contained inbuilt and shielded sharpening device;
- Forced ventilation to motor;
- Gear driven blade;
- Safety cutout switches for blade operation and blade cover.



The built-in sharpener is simple and safe to operate.



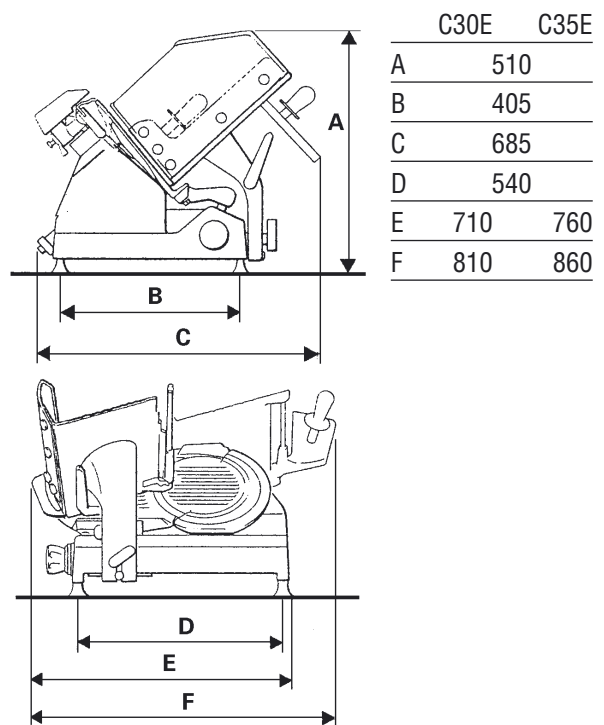
The unit is easily disassembled for cleaning and maintenance.

SPECIFICATIONS

	C30E	C35E
Blade (mm)	300	350
Blade RPM	200	
230V single phase motor	330W, 50Hz	
400V three phase motor	410W, 50Hz	
Operating Temp Range	+5°C - +40°C	
Net weight (kg)	38	39

Slice Capacity

Height (mm)	230	260
Width (mm)	210	250
Length (mm)	240	250
Max. Slice thickness (mm)	14	



SALES AND SERVICE

SYDNEY: Ph: (02) 9838 0505; Fx: (02) 9838 0822
MELBOURNE: Ph: (03) 9888 7125; Fx: (03) 9888 7909
BRISBANE: Ph: (07) 3205 1077; Fx: (07) 3205 1144
ADELAIDE: Ph: (08) 8234 6277; Fx: (08) 8234 9033
PERTH: Ph: (08) 9204 3222; Fx: (08) 9204 3388
HOBART: Ph: (03) 6234 8300; Fx: (03) 6231 1291
DARWIN: Ph: (08) 8984 4125; Fx: (08) 8947 1900
WAGGA: Ph: (02) 6922 5836; Fx: (02) 6926 5657
FREECALL: 1800 353 844
EMAIL: info@briceaust.com.au



© Brice Australia Pty. Ltd.
 A.B.N. 71 413 589 669
 100% Australian owned and operated

Copyright © 2005 Brice Australia Pty. Ltd.
 www.briceaust.com.au

Note: Specifications subject to change without prior notice