

Model
TS
Meat Mincers

Model TS Meat Mincers

The Model TS range of meat mincers - the TS12 and the larger capacity TS22 offer efficient and noiseless mincing thanks to extensive research and design of the cutting group.

That same research and design work also means faster, easier cleaning. The type of meat being minced can be changed very quickly as only a very small quantity of meat remains in the cutting group.

The TS range is equally at home in small butcher shops and the largest commercial kitchen.

All the TS range feature:

- stainless steel and anodised aluminium construction to resist corrosion - the cutting group and funnels are made from high grade 18/8 stainless steel;
- all components radiused and reamed;
- Reduction gears running in oil bath;
- Reversing switch to clear blockages;

The Model TS comes with a range of optional accessories:

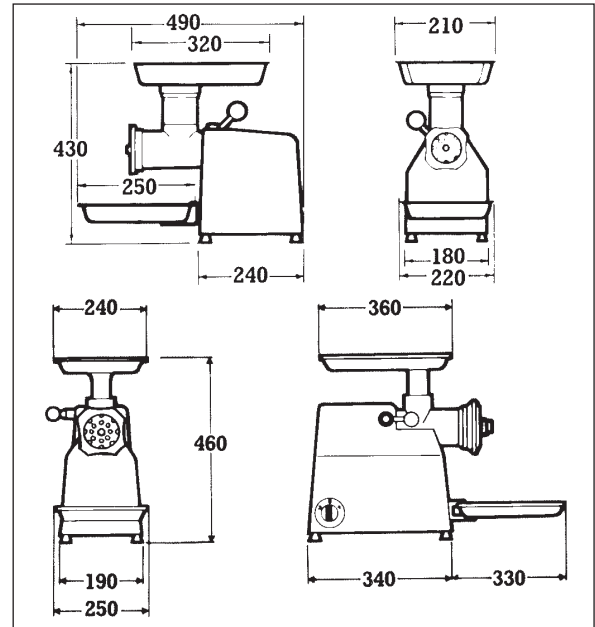
- 42 - Single phase motor (TS22)
- 44 - 24VDC Motor
- 45 - Large Pan 440mm x 290mm
- 48 - Single phase motor (TS12)
- 54 - Tripe Cutting Group (TS22)



The smaller TS12 meat mincer is ideal for butcher shops and smaller restaurants

SPECIFICATIONS

Dimensions (mm)	TS12	TS22
Height (inc. funnel)	430	460
Width	220	250
Depth (inc. pan)	490	670
Cutting Throat diameter	70	82
Throughput (kg. per hour)	170	280



Standard Accessories

Product Code	TS12	TS22
C1250 Standard cutting group		?
C1260 Standard cutting group	?	
C1271 Double cut group		?
C1280 Double cut group	?	
C1291 Triple cut group		?

SALES AND SERVICE

SYDNEY: Ph: (02) 9838 0505; Fx: (02) 9838 0822
MELBOURNE: Ph: (03) 9888 7125; Fx: (03) 9888 7909
BRISBANE: Ph: (07) 3205 1077; Fx: (07) 3205 1144
ADELAIDE: Ph: (08) 8234 6277; Fx: (08) 8234 9033
PERTH: Ph: (08) 9204 3222; Fx: (08) 9204 3388
HOBART: Ph: (03) 6234 8300; Fx: (03) 6231 1291
DARWIN: Ph: (08) 8984 4125; Fx: (08) 8947 1900
WAGGA: Ph: (02) 6922 5836; Fx: (02) 6926 5657
FREECALL: 1800 353 844
EMAIL: info@briceaust.com.au



© Brice Australia Pty. Ltd.
 A.B.N. 71 413 589 669
 100% Australian owned and operated

Copyright © 2005 Brice Australia Pty. Ltd.
 www.briceaust.com.au

Note: Specifications subject to change without prior notice