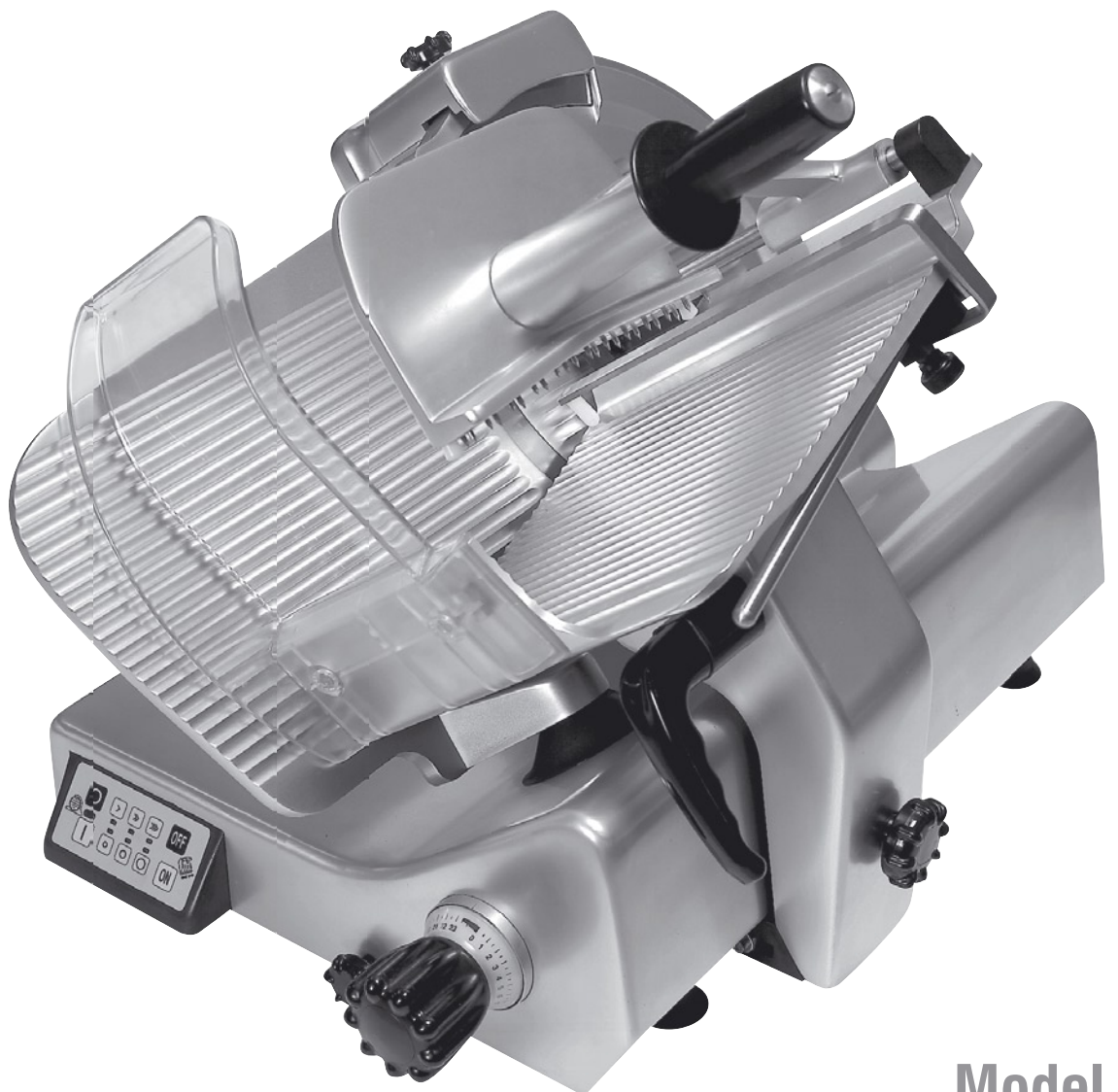




The 330IKSA semi automatic manual slicer is a heavy duty powerhouse that takes the hard work out of volume slicing. An ideal slicer for caterers, medium/large kitchens and delicatessens.



Model
330IKSA

Semi-automatic Gear Driven Slicer



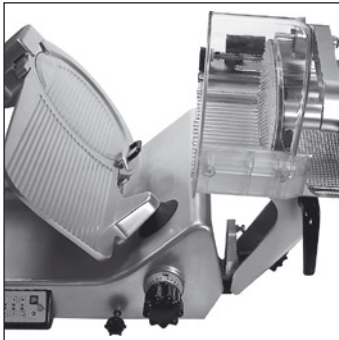
Model 330IKSA Semi-automatic Gear Driven Slicer

CE Approved

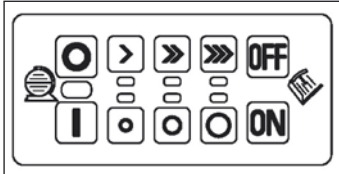
The Model 330IKSA gear-driven Semi-automatic gravity feed slicer has been designed for heavy duty applications.

Anodised aluminium and stainless steel construction make the 330IKSA rugged. A large receiving plate, three selectable stroke speeds and stroke lengths, precision slicing action, and a full suite of safety features make the 330IKSA one of the most functional and versatile semi-auto slicers on the market.

- Manufactured in stainless steel and anodised aluminium to resist the corrosive effects of salts and acids;
- Conforms to all Australian and European standards. CE Approved.
- Micrometric thickness control allows for cutting of slices from 0 to 24mm;
- Self-contained and built-in sharpening device with grinding and finishing stones;
- Two independent fan-cooled motors - blade and carriage;
- All bearings are self-lubricating and sealed-for-life;
- Safety cutout switches for centre plate and blade operation;
- Low-voltage control panel for added safety;
- Fully-guarded blade and meat tray.



Slicer "unfolds" for easy cleaning



Control panel controls all aspects of the slicer's operation.



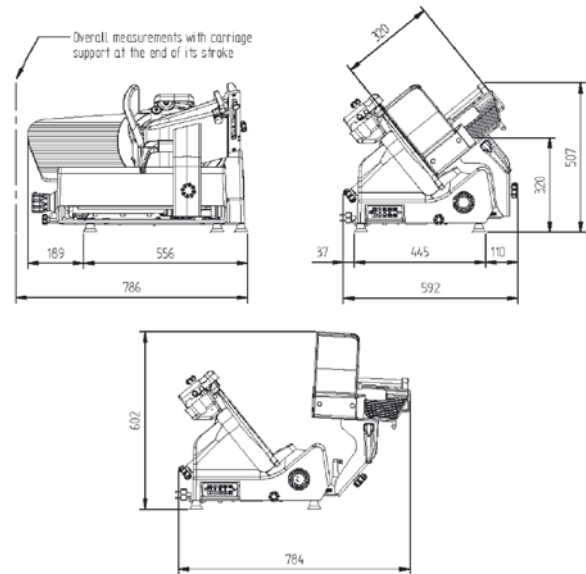
Large receiving plate ideal for volume slicing.

SPECIFICATIONS

Overall Dimensions (mm)	745 x 592 x 507
Installation area (mm)	556 x 445
Working area (mm)	786 x 784 x 602
Blade (mm)	330
Motor	240V, 360W, 50Hz
Operating Temp. Range	Between 5°C and 40°C
Acoustic (dB)	Max. 70dB
Net Weight (kg)	56.5

Slice Capacity

Stroke/min.	30/40/50
Max. Slice Thickness (mm)	24
Max Cutting Cap. (dia., mm)	240
Max xCutting Cap. (rect., mm)	210 x 290



- S** Semi-automatic slicer (selectable for auto or manual operation)
- G** Gear-driven blade and/or carriage
- H** Rated for heavy duty/high volume environments

SALES AND SERVICE

SYDNEY: Ph: (02) 9838 0505; Fx: (02) 9838 0822
MELBOURNE: Ph: (03) 9888 7125; Fx: (03) 9888 7909
BRISBANE: Ph: (07) 3205 1077; Fx: (07) 3205 1144
ADELAIDE: Ph: (08) 8234 6277; Fx: (08) 8234 9033
PERTH: Ph: (08) 9204 3222; Fx: (08) 9204 3388
HOBART: Ph: (03) 6234 8300; Fx: (03) 6231 1291
DARWIN: Ph: (08) 8984 4125; Fx: (08) 8947 1900
WAGGA: Ph: (02) 6922 5836; Fx: (02) 6926 5657
FREECALL: 1800 353 844
EMAIL: info@briceaust.com.au



© Brice Australia Pty. Ltd.
 A.B.N. 71 413 589 669
 100% Australian owned and operated

Copyright © 2006 Brice Australia Pty. Ltd.
 www.briceaust.com.au

Note: Specifications subject to change without prior notice